



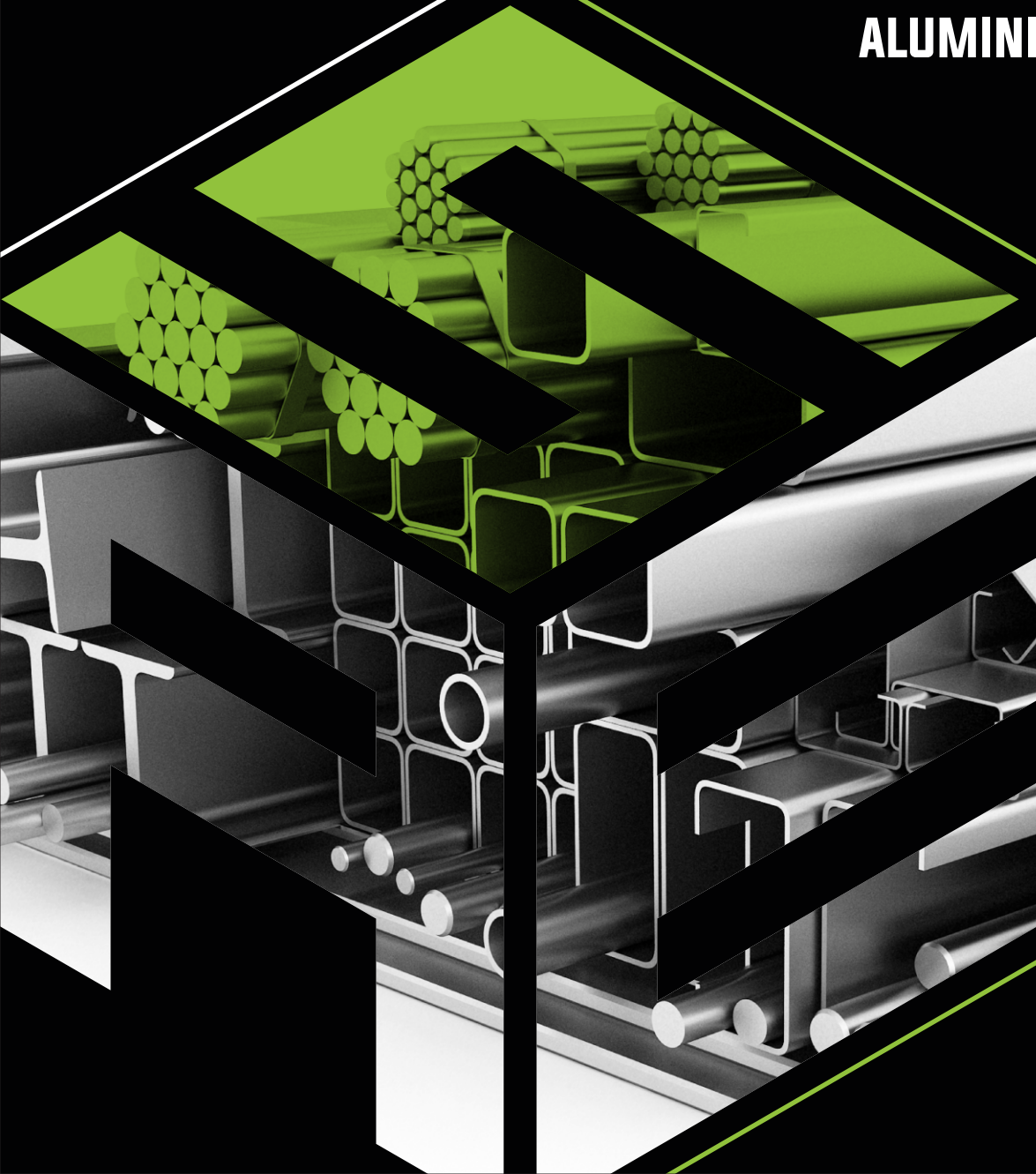
Sagar[®]

ALUMINIUM EXTRUSION PVT. LTD.
AN ISO 9001:2015 CERTIFIED COMPANY

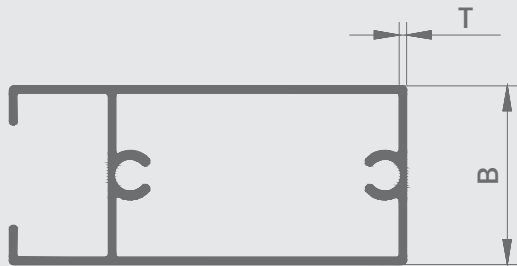
DOOR & WINDOW SERIES

GET **SAE-POWERED** WITH YOUR
ALL-IN-ONE SOURCE FOR
ALUMINIUM EXTRUSION
SOLUTION

QUALITY IS THE
ULTIMATE
SOURCE OF SUCCESS

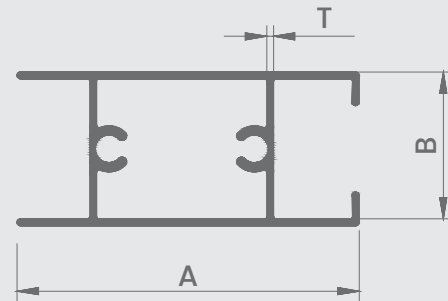


3/4" HANDLE



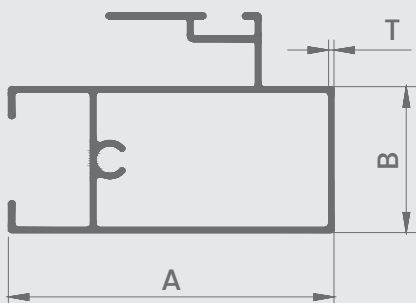
SEC. No.	A	B	T	Wt. (kg/12')
1601	40.00	18.00	0.60	0.800-1.000
1602	40.00	18.00	0.75	1.000-1.200

3/4" TOP BOTTOM



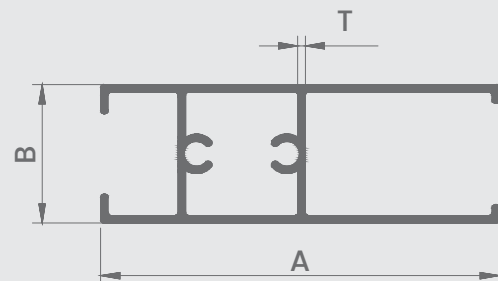
SEC. No.	A	B	T	Wt. (kg/12')
1601	40.00	18.00	0.64	0.900-1.100
1602	40.00	18.00	0.80	1.100-1.300

3/4" INTERLOCK



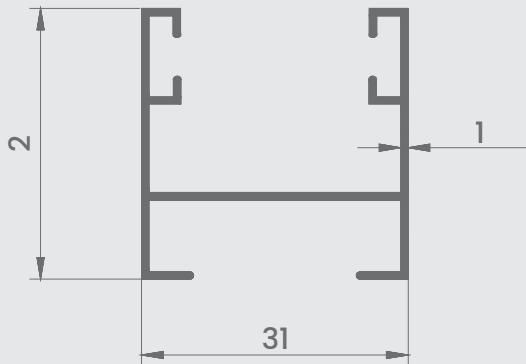
SEC. No.	A	B	T	Wt. (kg/12')
1631	40.00	18.00	0.70	1.100-1.300
1632	40.00	18.00	0.98	1.500-1.700

3/4" BRARING BOTTOM



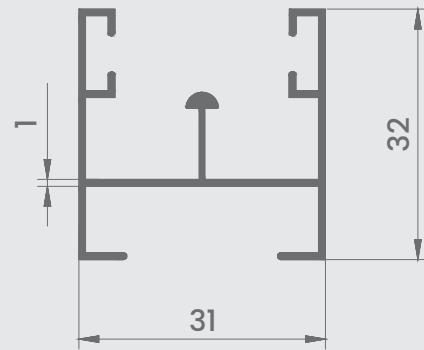
SEC. No.	A	B	T	Wt. (kg/12')
1641	52.000	18.00	0.80	1.200-1.400
1642	52.00	18.00	1.00	1.500-1.700

1791 / SINGLE TRACK TOP



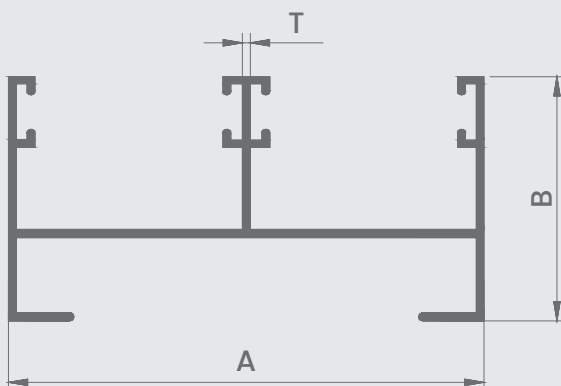
WEIGHT : 1.000 - 1.300 kg/12'

1792 / SINGLE TRACK BOTTOM



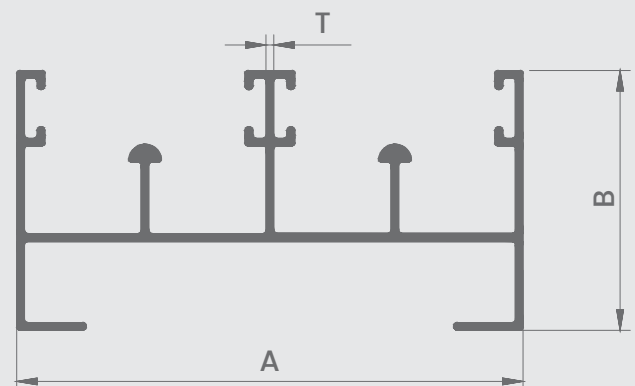
WEIGHT : 1.200-1.500 kg/12'

2 TRACK TOP



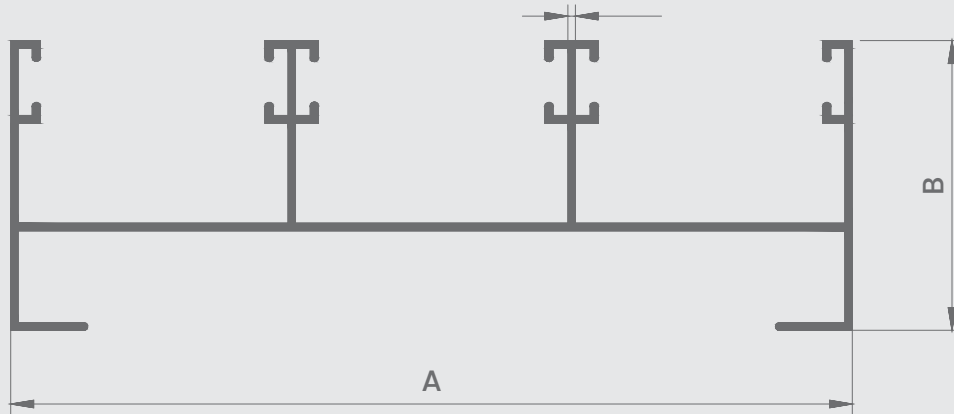
SEC. No.	A	B	T	Wt. (kg/12')
1801	62.00	31.80	0.95	1.800-2.000
1802	62.00	31.80	1.06	2.000-2.200

2 TRACK BOTTOM



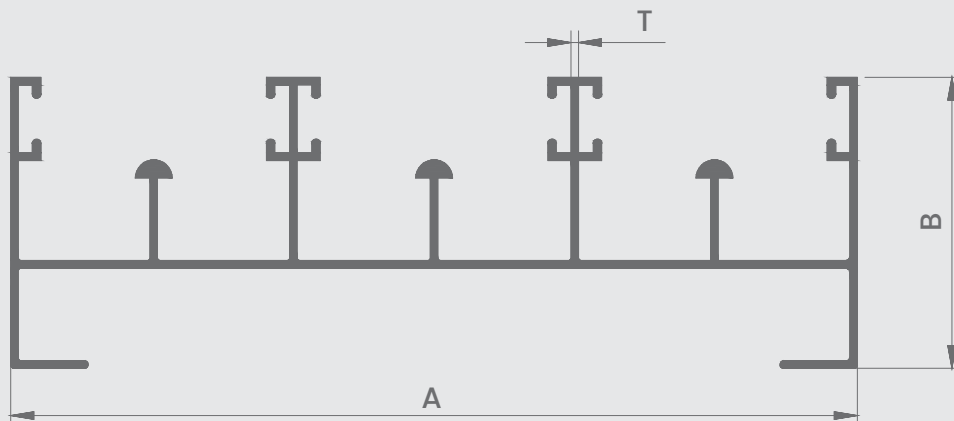
SEC. No.	A	B	T	Wt. (kg/12')
1911	62.00	31.80	0.86	1.900-2.100
1912	62.00	31.80	0.96	2.100-2.300

3 TRACK TOP



SEC. No.	A	B	T	Wt. (kg/12')
1821	92.40	31.80	0.70	1.800-2.000
1822	92.40	31.80	0.85	2.200-2.400

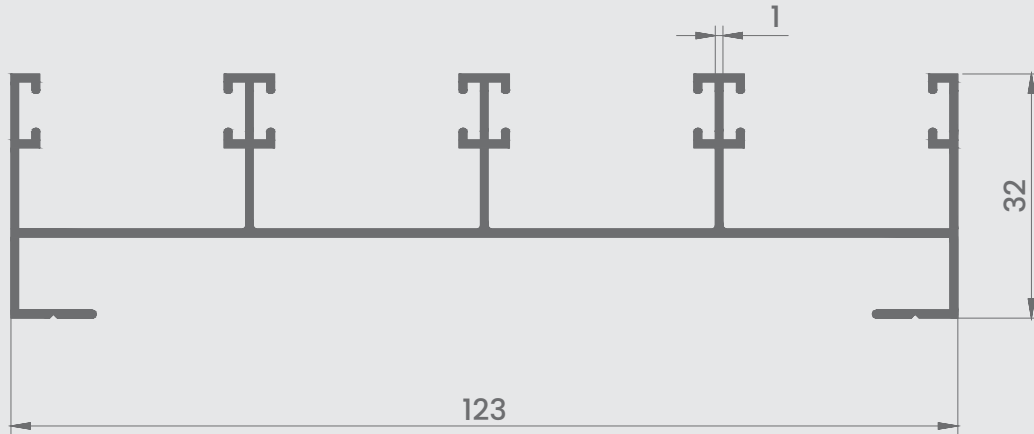
3 TRACK BOTTOM



SEC. No.	A	B	T	Wt. (kg/12')
1831	92.40	31.80	0.68	2.100-2.300
1832	92.40	31.80	0.85	2.600-2.800

1841

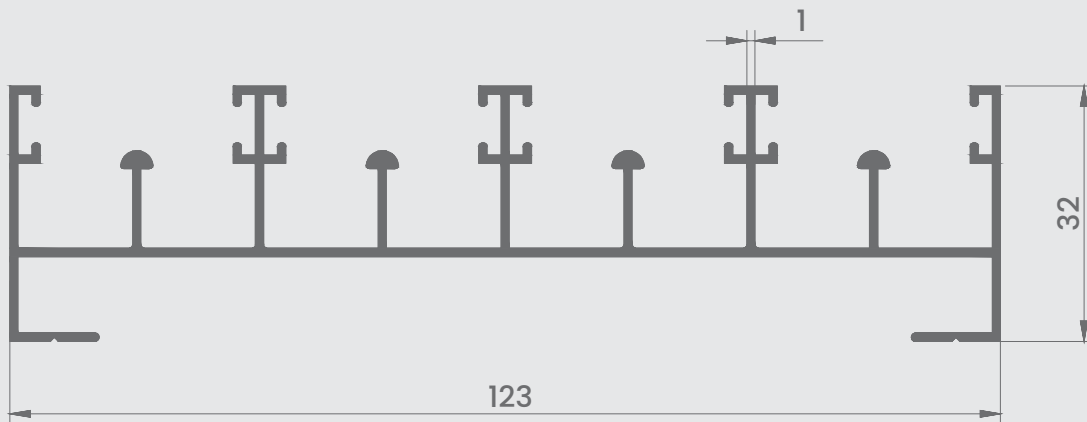
4 TRACK TOP



WEIGHT : 3.400 - 3.600 kg/12'

1851

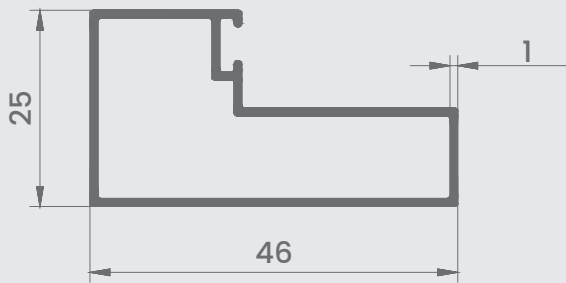
4 TRACK BOTTOM



WEIGHT : 4.000-4.200 kg/16'

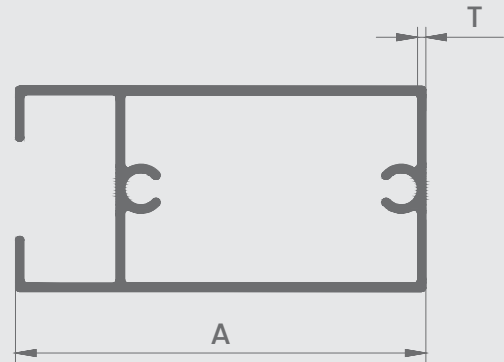
1542

L-PIPE



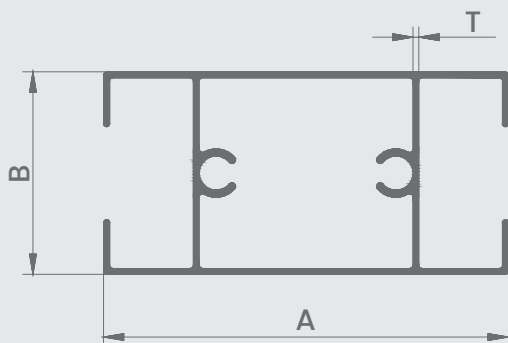
WEIGHT : 1.400-1.600 kg/12'

2 X 1" HANDLE



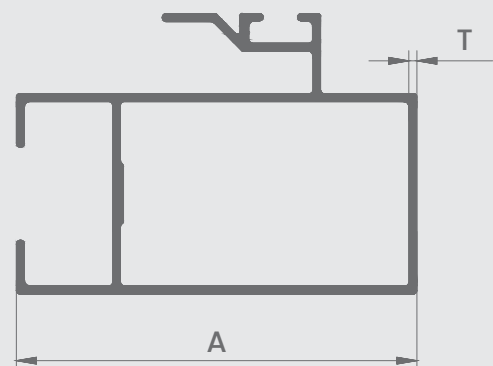
SEC. No.	A	B	T	Wt. (kg/12')
1611	50.00	25.00	0.75	1.300-1.500
1612	50.00	25.00	1.00	1.800-2.000

2 X 1" MIDDLELOCK



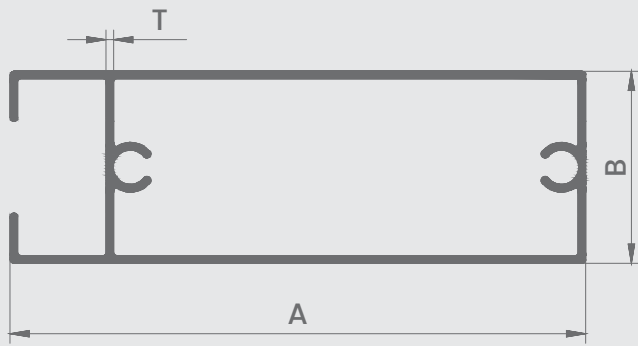
SEC. No.	A	B	T	Wt. (kg/12')
1691	50.00	25.00	0.75	1.400-1.600
1692	50.00	25.00	1.00	1.800-2.000

2 X 1" INTERLOCK



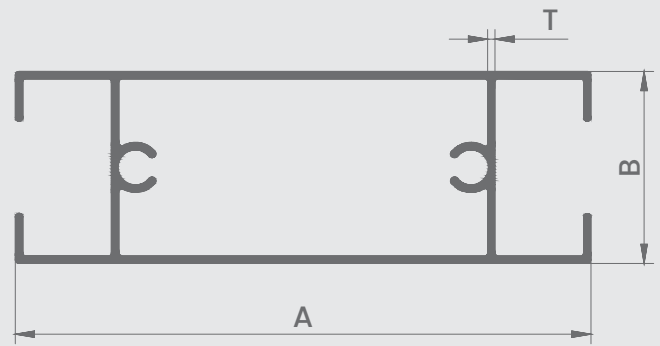
SEC. No.	A	B	T	Wt. (kg/12')
1711	50.00	25.00	1.00	1.900-2.100
1712	50.00	25.00	1.20	2.200-2.400

3 X 1" HANDLE



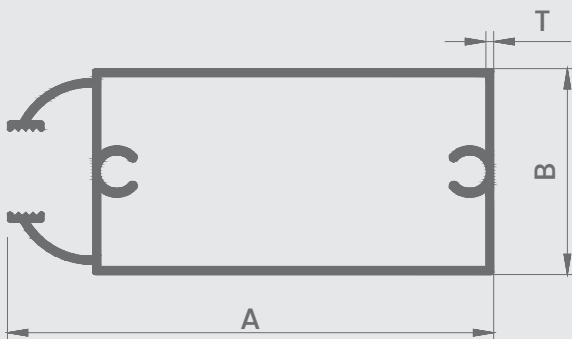
SEC. No.	A	B	T	Wt. (kg/12')
1731	75.00	25.00	1.00	2.200-2.400
1732	75.00	25.00	1.20	2.600-2.800

3 X 1" MIDDLE



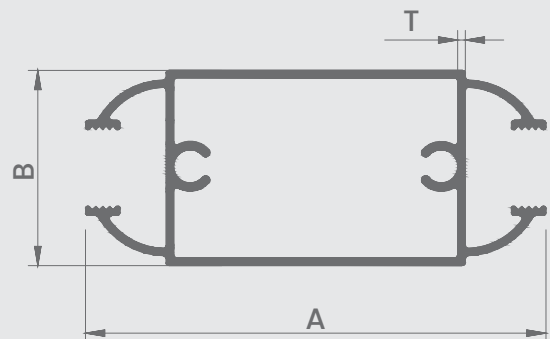
SEC. No.	A	B	T	Wt. (kg/12')
1735	75.00	25.00	1.00	2.300-2.500
1736	75.00	25.00	1.20	2.800-3.000

MOLDING HANDLE



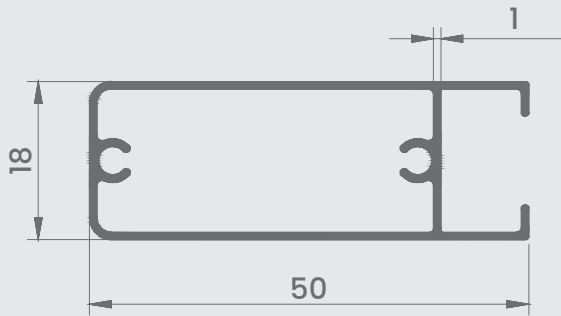
SEC. No.	A	B	T	Wt. (kg/12')
1741	60.00	25.40	1.00	1.900-2.100
1742	60.00	25.40	1.20	2.200-2.400

MOLDING MIDDLE



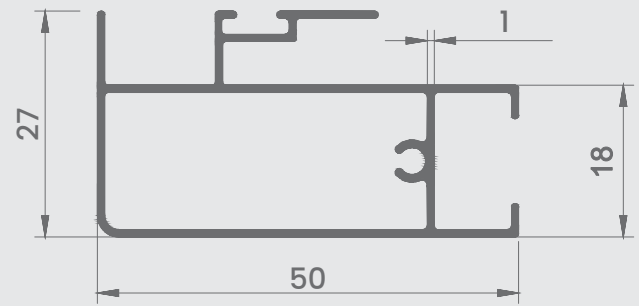
SEC. No.	A	B	T	Wt. (kg/12')
1751	60.00	25.40	1.00	2.000-2.200
1752	60.00	25.40	1.20	2.400-2.600

1651 / 50 X 18 HANDLE



WEIGHT : 1.300 - 1.500 kg/12'

1661 / 50 X 18 INTERLOCK



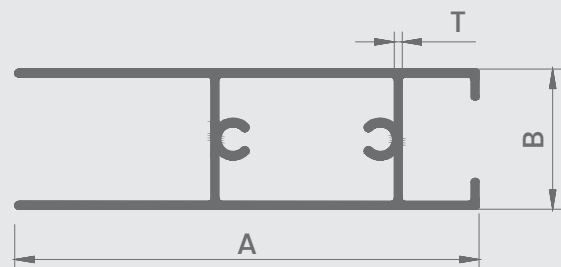
WEIGHT : 1.600 - 1.800 kg/12'

1671 / 60 X 18 HANDLE



WEIGHT : 1.700-1.900 kg/12'

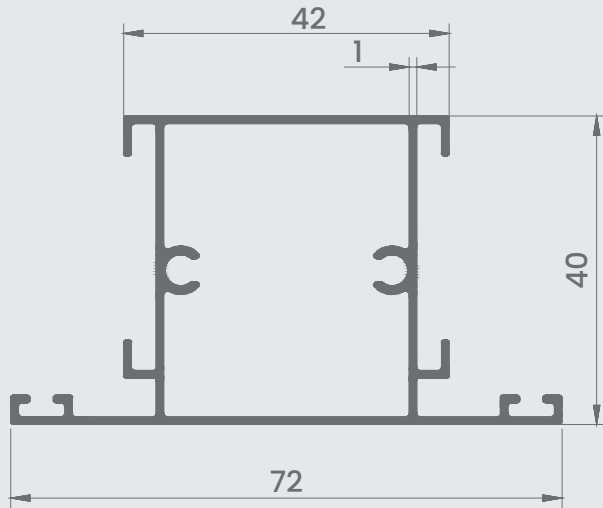
60 X 18 MIDDLE



SEC. No.	A	B	T	Wt. (kg/12')
SE-1681	60.00	25.40	1.05	1.800-2.000
SE-1682	60.00	25.40	1.20	2.400-2.600

1901

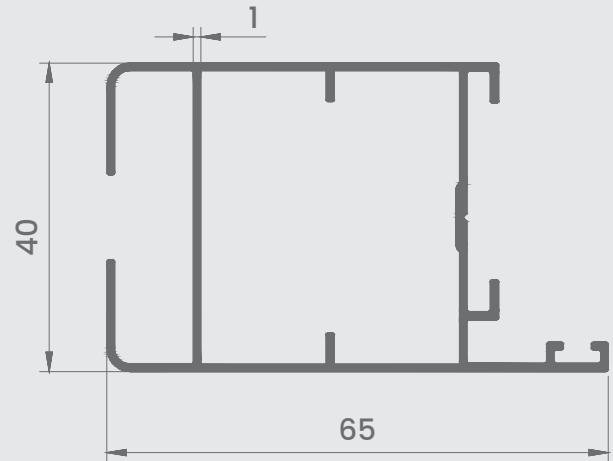
Z MULLION



WEIGHT : 2.500 - 2.700 kg/12'

1902

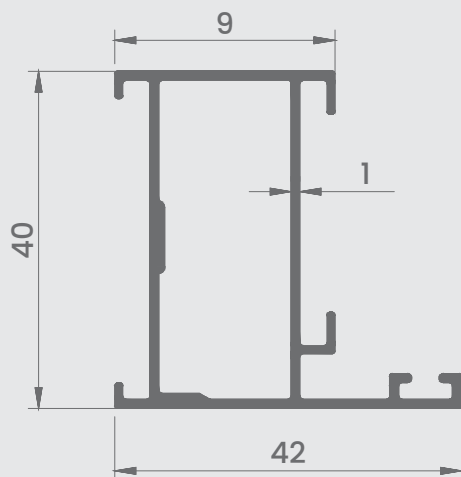
65mm SHUTTER



WEIGHT : 2.500-2.700 kg/12'

1903

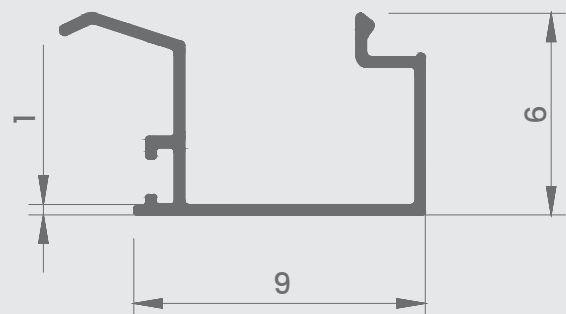
Z FRAME



WEIGHT : 1.900-2.100 kg/12'

1904

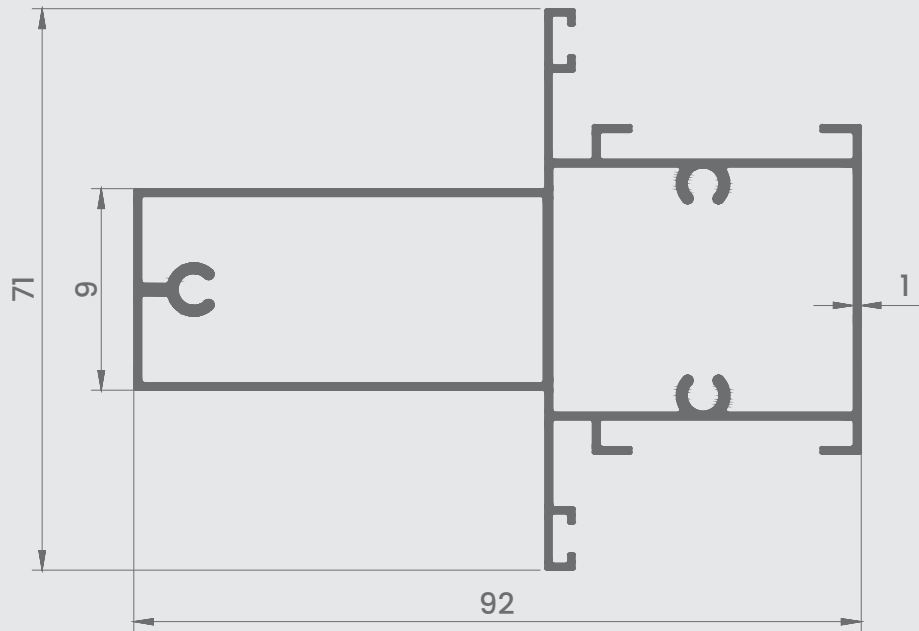
CLIP



WEIGHT : 0.700-0.900 kg/12'

1905

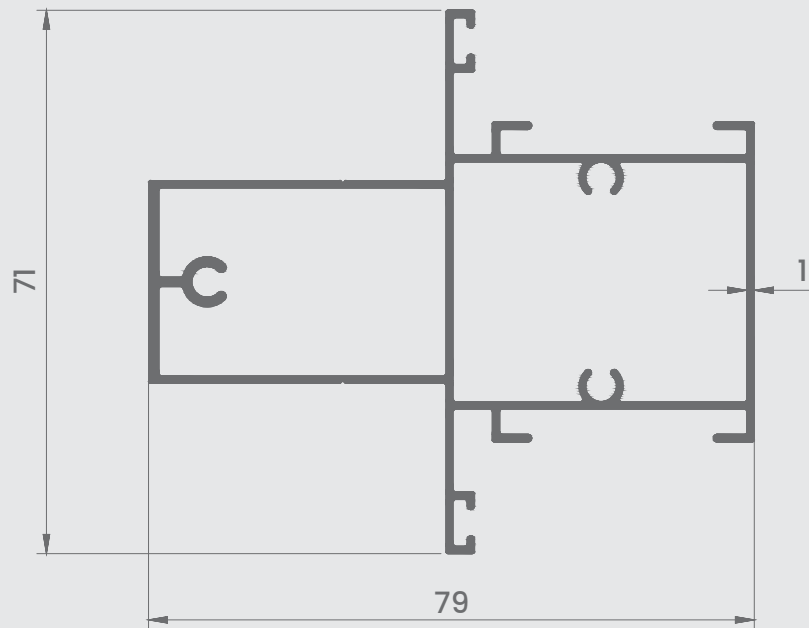
3 in 1 MULLION



WEIGHT : 5.300 - 5.500 kg/16'

1906

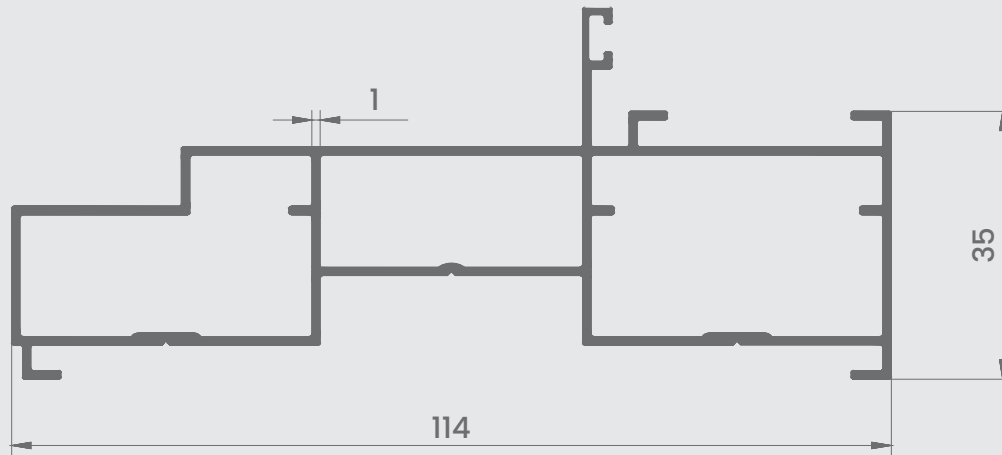
2 in 1 MULLION



WEIGHT : 5.000-5.400 kg/16'

1908-2

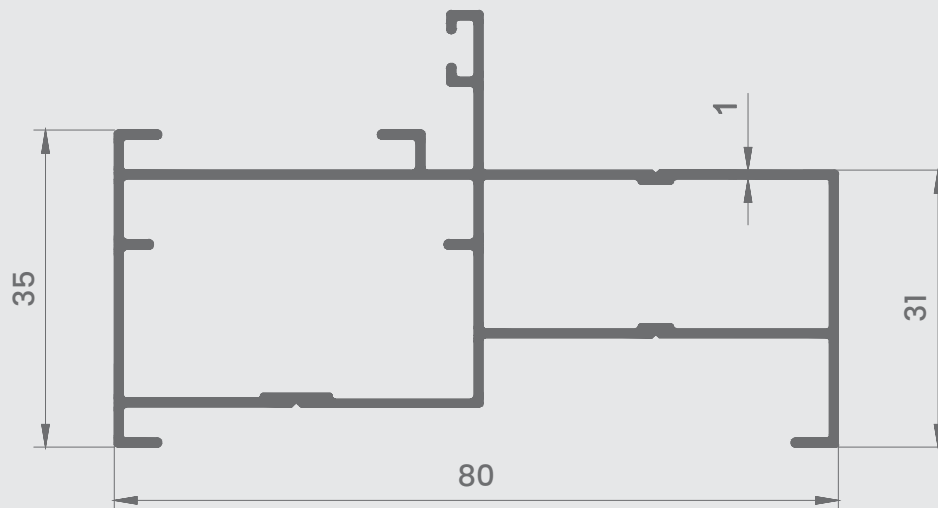
Z 3 IN 1 FRAME



WEIGHT : 5.700 - 6.000 kg/16'

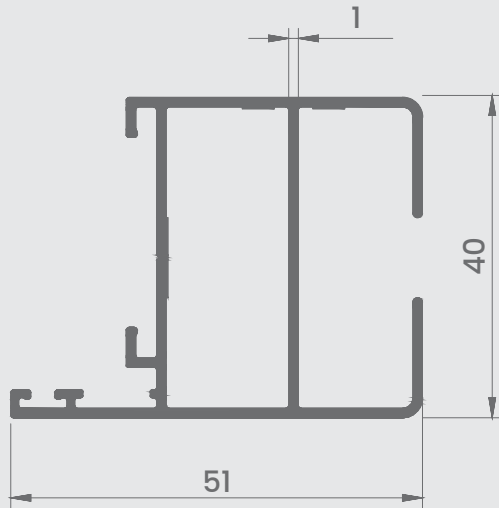
1908-1

Z 2 IN 1 FRAME



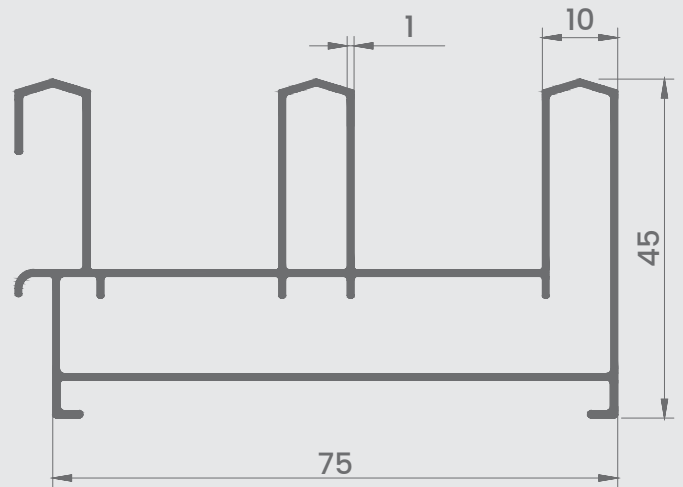
WEIGHT : 4.000-4.400 kg/16'

1908 / 52mm SHUTTER



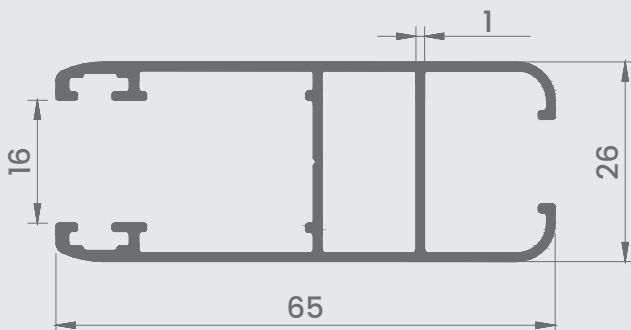
WEIGHT : 3.300 - 3.500 kg/16'

1910 / DOMAL 3 TRACK



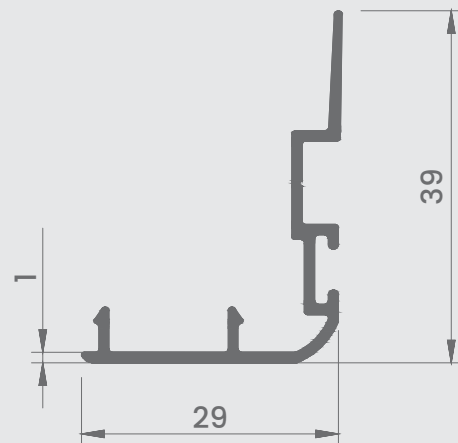
WEIGHT : 4.200-4.500 kg/16'

1909 / DOMAL SHUUTER



WEIGHT : 3.300-3.500 kg/16'

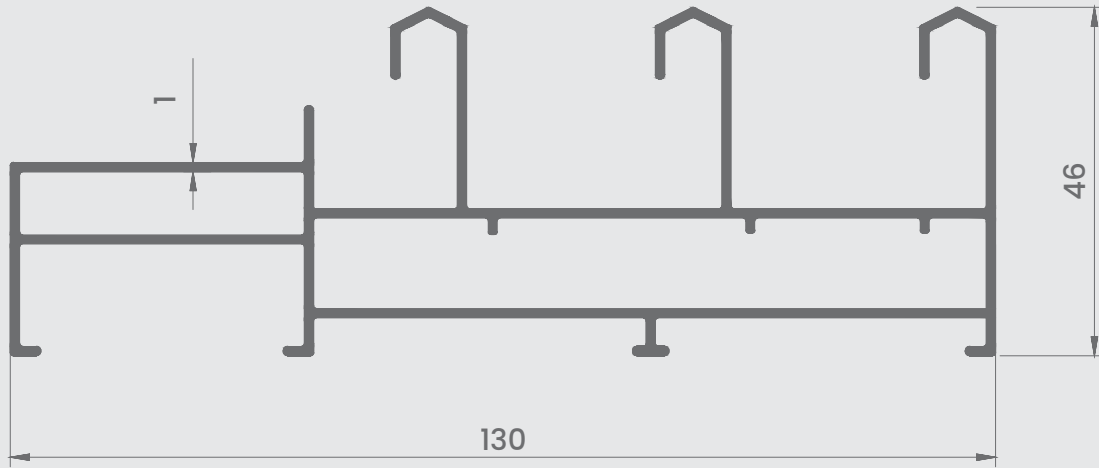
1907 / DOMAL CLIP



WEIGHT : 1.300-1.500 kg/16'

1923

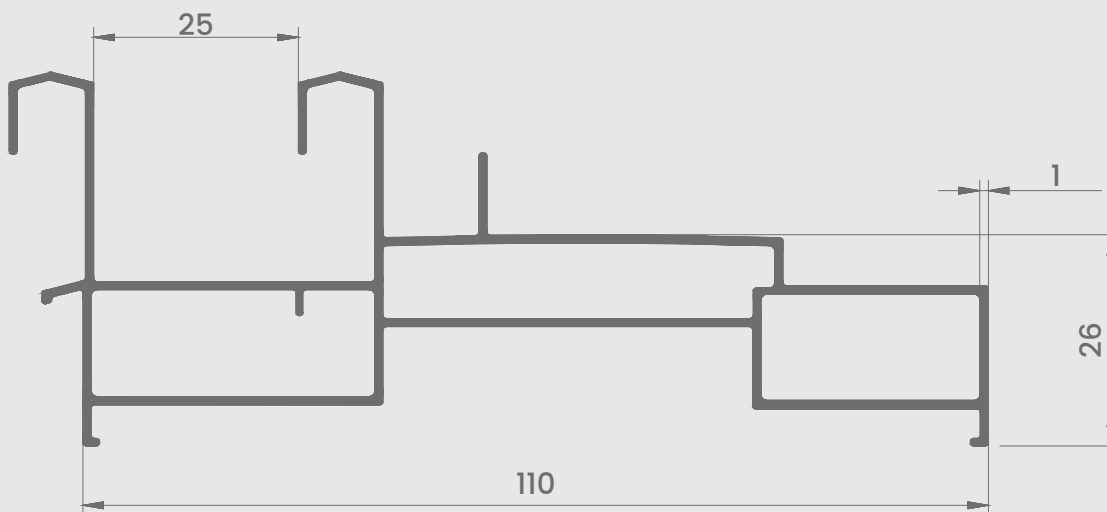
DOMAL 3 TRACK WITH GREEL



WEIGHT : 7.200 - 7.500 kg/16'

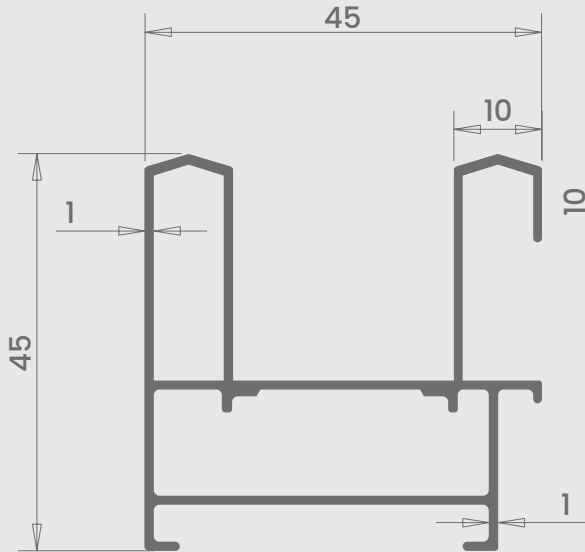
1924

DOMAL 2 TRACK 3 IN 1



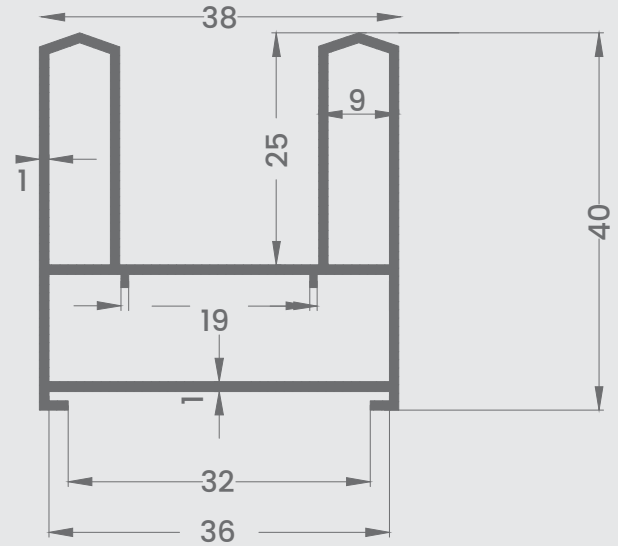
WEIGHT : 5.200-5.500 kg/16'

1912 / DOMAL 2 TRACK



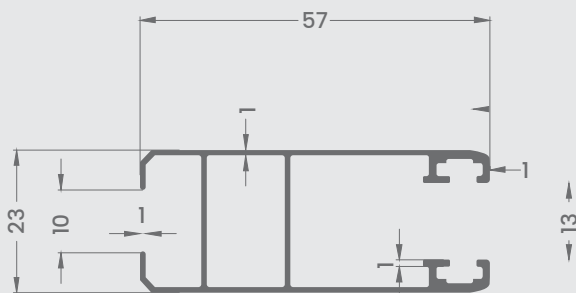
WEIGHT : 3.000-3.400 kg/16'

2000 / MINI DOMAL 2 TRACK



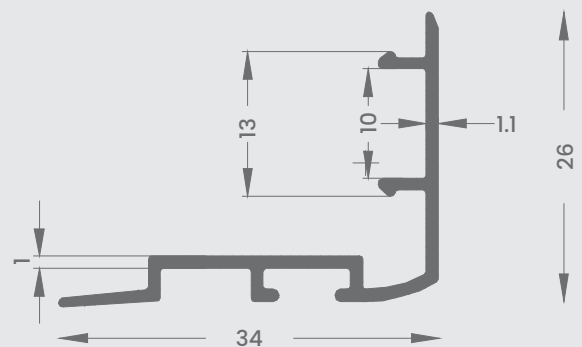
WEIGHT : 2.800-3.100 kg/16'

2001 / MINI DOMAL SHUTER



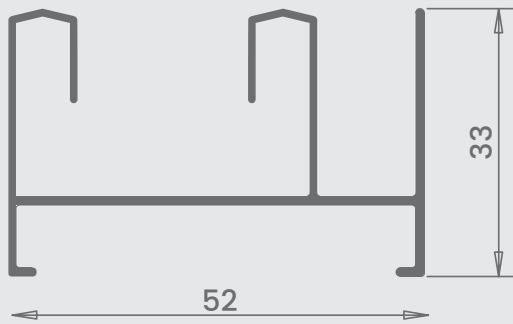
WEIGHT : 2.500-2.800 kg/16'

2002 / MINI DOMAL CLIP



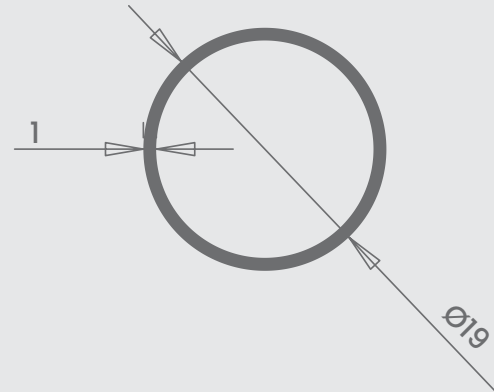
WEIGHT : 1.100-1.300 kg/16'

2005 / MINI DOMAL 2 TRACK



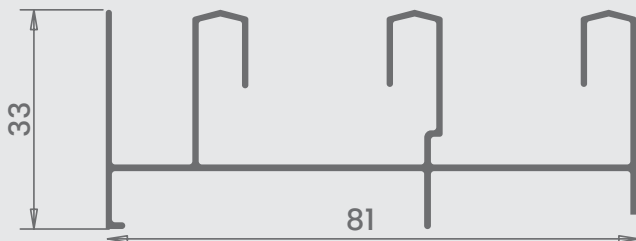
WEIGHT : 2.400-2.600 kg/16'

2007 / 19mm ROUND PIPE



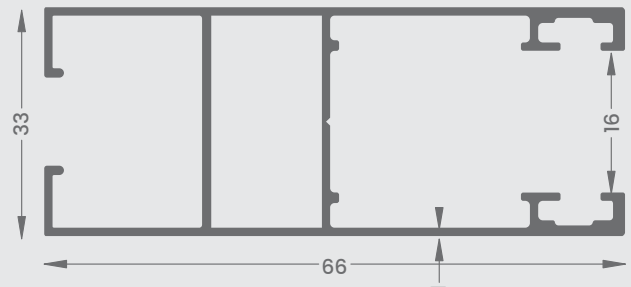
WEIGHT : 0.700-0.750 kg/16'

2006 / MINI DOMAL 3 TRACK



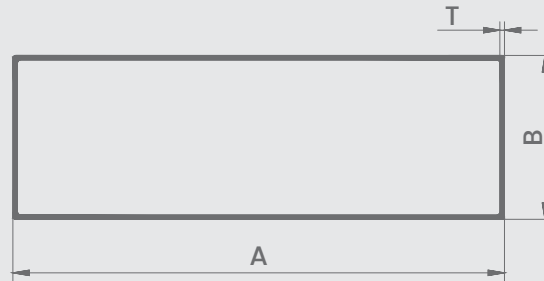
WEIGHT : 3.200-3.500 kg/16'

2010 / DOMAL SQUARE SHUTTER



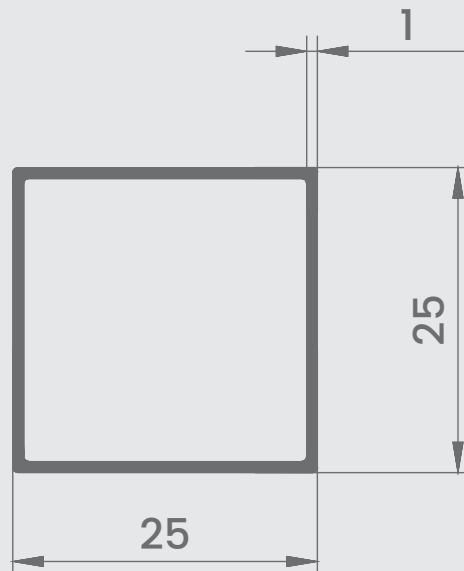
WEIGHT : 2.800-3.000 kg/16'

RECTANGULAR TUBE



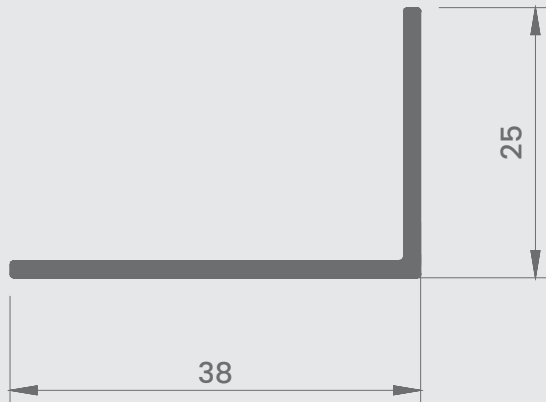
SEC. No.	A	B	T	Wt. (kg/12')
DW-1301	38	25	0.72	0.900-1.100
DW-1302	38	25	0.95	1.100-1.300
DW-1303	38	25	1.28	1.500-1.700
DW-1304	50	25	0.65	0.900-1.100
DW-1305	50	25	1.00	1.400-1.600
DW-1306	50	25	1.20	1.700-2.000
DW-1307	75	25	0.70	1.300-1.500
DW-1308	75	25	1.55	2.200-2.600
DW-1309	100	25	1.00	2.400-2.500
DW-1310	63	38	1.55	1.800-2.000
DW-1311	63	25	0.70	1.200-1.400

SQUARE TUBE



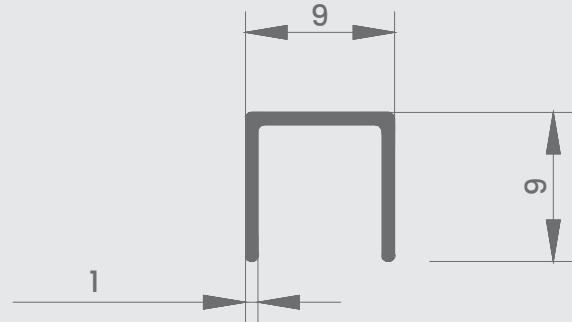
SEC. No.	A	B	T	Wt. (kg/12')
1271	25.00	25.00	0.90	0.850-0.900
1272	38.00	25.00	1.00	1.400-1.600

1201 / UNEQUAL ANGLE



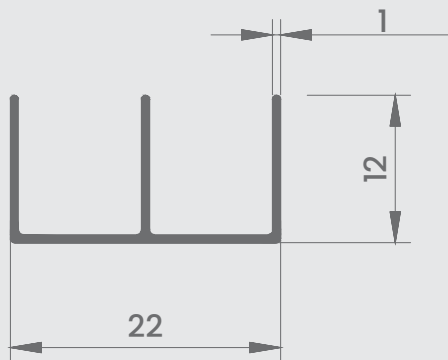
WEIGHT : 0.900-1.100 kg/12'

1251 / SINGLE CHANNEL



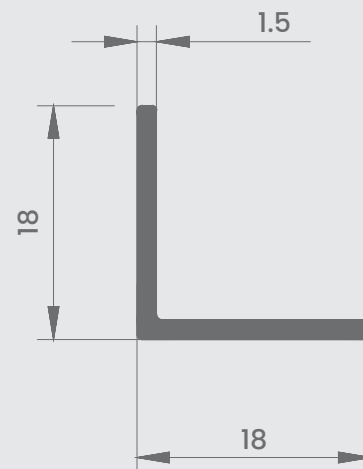
WEIGHT : 0.180-0.280 kg/12'

1261 / DOUBLE CHANNEL



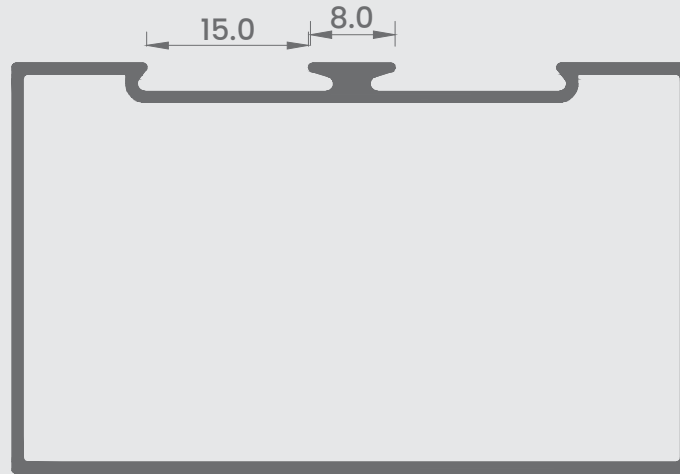
WEIGHT : 0.350-0.550 kg/12'

EQUAL ANGLE



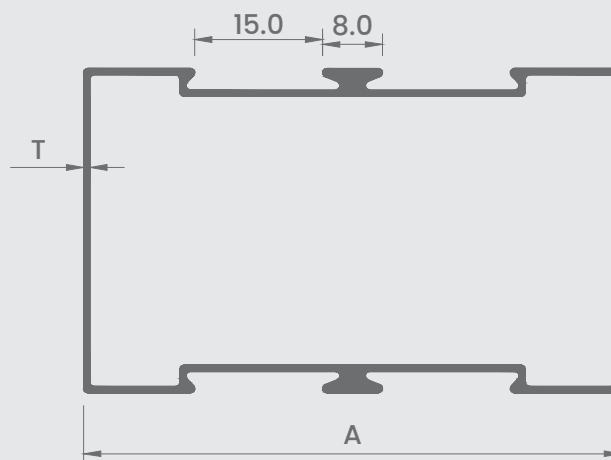
SEC. No.	A	B	T	Wt. (kg/12')
1101	18	18	1.5	0.500-0.800
1102	25	25	1.5	0.700-0.900
1103	38	38	1	1.100-1.300

SINGAL PARTITION



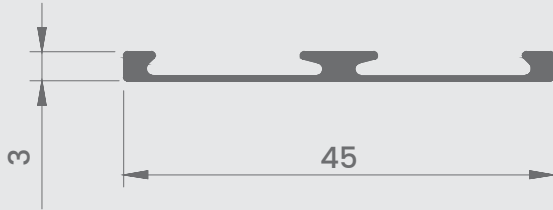
SEC. No.	A	B	T	Wt. (kg/12')
1401	63	38	0.75	1.600 - 1.800
1402	63	38	1.10	2.300 - 2.500
1403	63	38	1.30	2.700 - 3.000

DOUBLE PARTITION



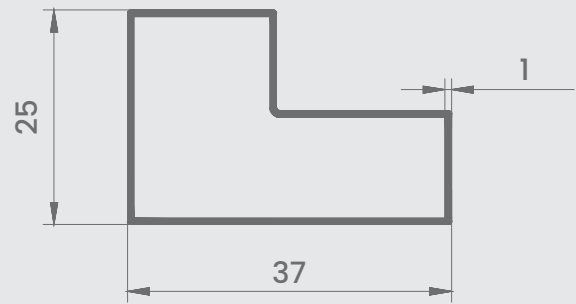
SEC. No.	A	B	T	Wt. (kg/12')
1451	63	38	0.85	2.000-2.200
1452	63	38	1.00	2.300-2.500
1453	63	38	1.20	2.700-3.000

1551 / GLAZING PLATE



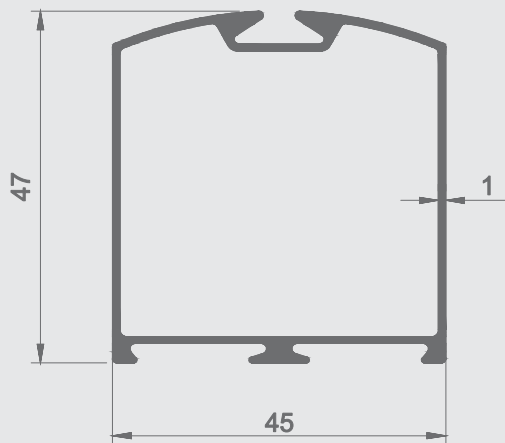
WEIGHT : 0.500 - 0.700 kg/12'

1552 / L-PIPE



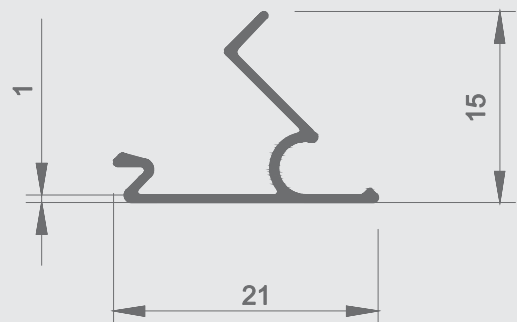
WEIGHT : 0.850 - 1.050 kg/12'

1521 / DOOR VERTICAL



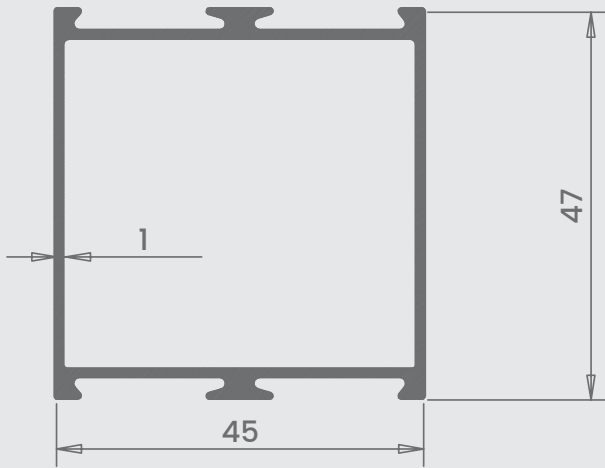
WEIGHT : 2.100-2.300 kg/12'

1541 / GLAZING CLIP



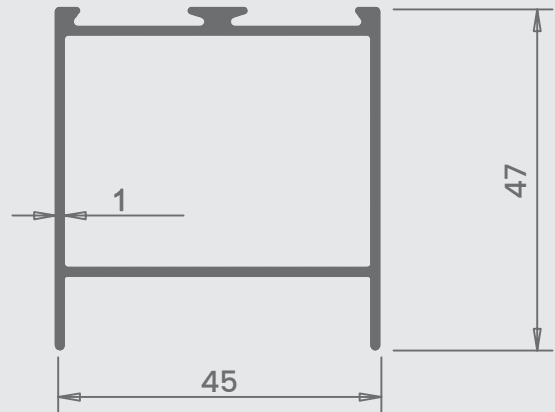
WEIGHT : 0.300 - 0.400 kg/12'

1535 / DOOR MIDDLE DOUBLE



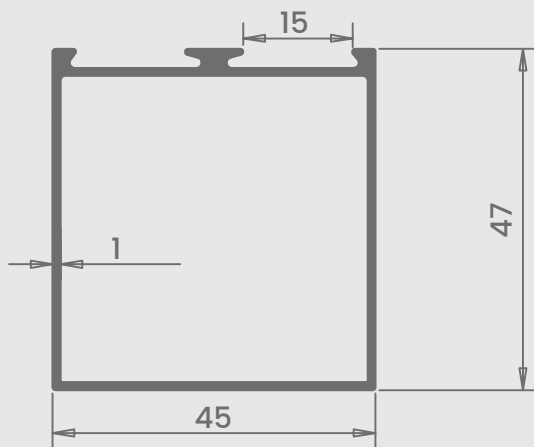
WEIGHT : 2.000-2.200 kg/12'

1525 / DOOR TOP & DOOR BOTTOM



WEIGHT : 2.200-2.200 kg/12'

1530 / DOOR MIDDLE SINGLE



WEIGHT : 2.000-2.200 kg/12'



GET **SAE-POWERED** WITH YOUR
ALL-IN-ONE SOURCE FOR
ALUMINIUM EXTRUSION
SOLUTION



SAGAR ALUMINIUM EXTRUSION PRIVATE LIMITED

REG. OFFICE ADDRESS : Plot No. 16,17,24,25, Sur. No. 1013p, Kaneriya Industrial Zone,
Vill- Khambha, Tal- Lodhika, Dist- Rajkot, Rajkot- 360035, Gujarat, India

+91 99989 00536

info@sagaraluminiumextrusion.com

www.sagaraluminiumextrusion.com